



# City of Grand Island

Tuesday, November 08, 2011

Council Session

## Item G4

**#2011-323 - Approving Bid Award - Transmission Distance Relays**

Staff Contact: Tim Luchsinger

# Council Agenda Memo

**From:** Tim Luchsinger, Utilities Director

**Meeting:** November 8, 2011

**Subject:** Purchase of Nineteen (19) Transmission Distance Relays

**Item #'s:** G-4

**Presenter(s):** Tim Luchsinger, Utilities Director

## Background

The Grand Island Electric System utilizes seven substations connected by a 115,000 volt transmission loop (see attached drawing). Substation J, shown in red, is planned for 2013. The loop will consist of eight segments that connect each substation with the next. In addition, four connections with Nebraska Public Power District (NPPD) are located around the loop. This system provides a reliable source of electricity for each substation with the ability to have at least one segment of the loop out of service at a time without any customer outages. Each segment of the loop is protected by several relays that monitor and isolate that segment in the event of a lightning strike or other problem on the line. The protective relaying system utilizes a primary and backup relay or set of relays. These relays are currently absolute electro-mechanical relays or first generation electronic relays.

The Department is planning on replacing the protection relays with those meeting current industry standards to allow for compliance with developing federal reliability standards. Failure to comply with these standards can result in fines or other enforcement action.

The consultant for the Department for the replacement protective relaying project, Advantage Engineering, developed specifications to issue for bid for new backup relaying, or distance relays, for all eight segments of the transmission loop (sixteen relays, two per line segment) and three spares. In addition to providing backup protective relaying of the transmission segments, the new relays can be programmed for additional protective functions such as synch check, breaker failure, and reclosure operations. The primary protective relays, or differential relays, will be procured under separate specifications.

## **Discussion**

The specifications for the distance relays were advertised in accordance with City procurement requirements. Specifications were sent to six regional distributors and three local distributors. Bids were publicly opened at 2:15 p.m., on October 13, 2011. The following bids were received.

<b>Bidder / Manufacturer</b>	<b>Exceptions</b>	<b>Bid Price</b>
Power Delivery Services, Inc., Omaha, NE	Yes	\$132,145.00
RFL Electronics, Boonton Twp., NJ	Yes	\$138,670.93
Siemens, Wendell, NC	Yes	\$157,232.22
Schweitzer Eng. Laboratories, Inc., Fairview Heights, IL	Yes	\$161,521.85

All bids include appropriate sales tax.

The four bids were evaluated based upon price and conformance to the specifications by Advantage Engineering and Department engineering staff. The bid received from Power Delivery Services, Inc., met all functional specifications and contained only minor exceptions regarding communication protocol which were evaluated to be acceptable. The bids received from RFL Electronics and Siemens contain exceptions that are related to the functional specifications which would create issues with implementation. These bids determined not to be compliant with the specifications. The bid received from Schweitzer Engineering Laboratories, Inc., met all functional specifications and their exception, also regarding communication protocol, was acceptable.

## **Alternatives**

It appears that the Council has the following alternatives concerning the issue at hand.

The Council may:

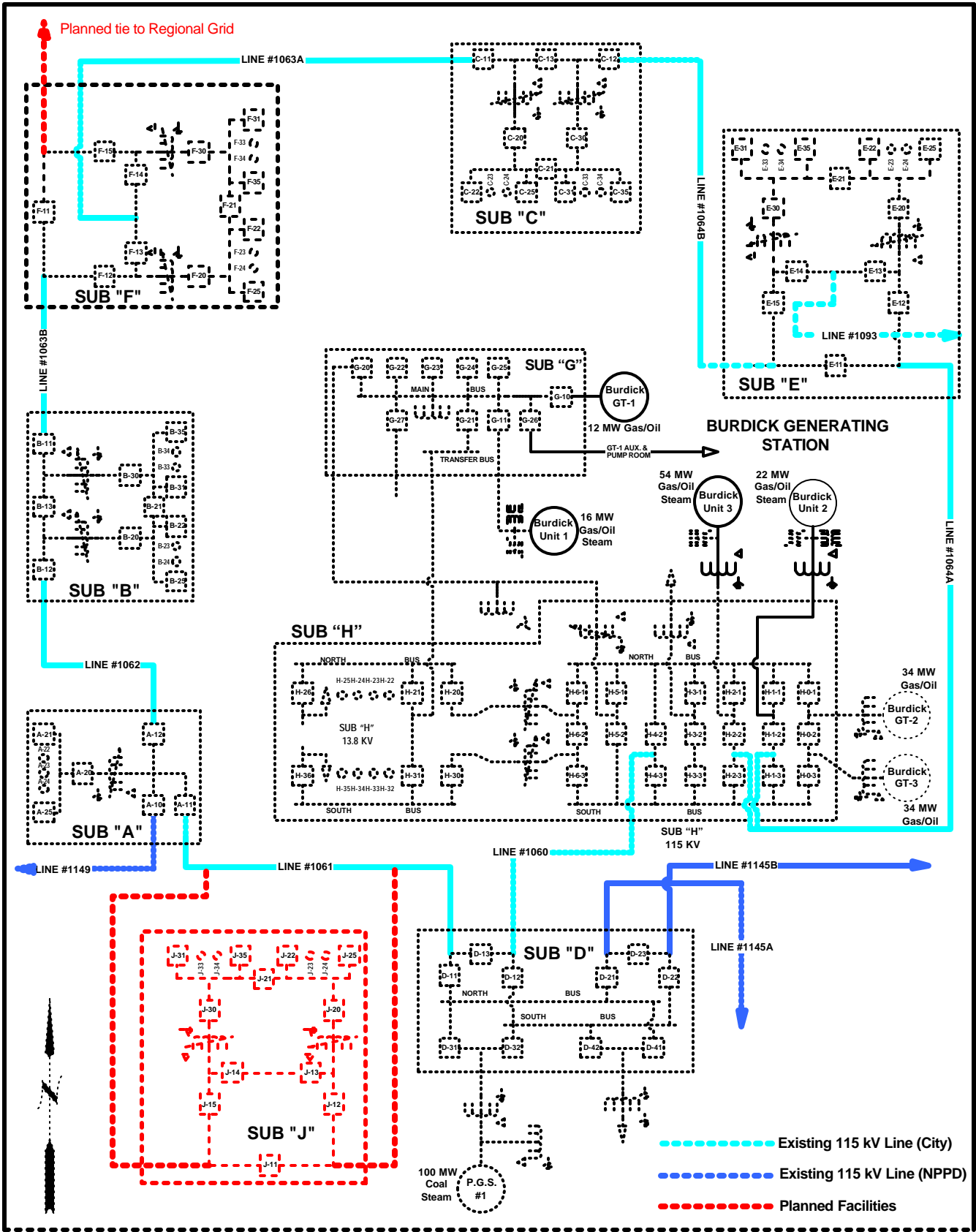
1. Move to approve
2. Refer the issue to a Committee
3. Postpone the issue to a future date
4. Take no action on the issue

## **Recommendation**

City Administration recommends that the Council approve the bid from Power Delivery Services, Inc., of Omaha, Nebraska, for Nineteen (19) Transmission Distance Relays in the amount of \$132,145.00.

## **Sample Motion**

Move to approve the bid from Power Delivery Services, Inc., for Nineteen (19) Transmission Distance Relays in the amount of \$132,145.00.



Purchasing Division of Legal Department  
INTEROFFICE MEMORANDUM



Jason Eley, Purchasing Agent

*Working Together for a  
Better Tomorrow, Today*

**BID OPENING**

**BID OPENING DATE:** October 13, 2011 at 2:15 p.m.  
**FOR:** (19) Transmission Distance Relays  
**DEPARTMENT:** Utilities  
**ESTIMATE:** \$150,000.00  
**FUND/ACCOUNT:** 520  
**PUBLICATION DATE:** September 26, 2011  
**NO. POTENTIAL BIDDERS:** 9

**SUMMARY**

<b>Bidder:</b>	<u>Schweitzer Eng. Laboratories, Inc.</u> Fairview Heights, IL	<u>RFL Electronics, Inc.</u> Boonton Twp., NJ
<b>Bid Security:</b>	Fidelity & Deposit Co.	International Fidelity Ins. Co.
<b>Exceptions:</b>	Noted	Noted
<b>Bid Price:</b>	\$150,955.00	\$129,599.00
<b>Sales Tax:</b>	\$ 10,566.85	- -
<b>Total Bid:</b>	\$161,521.85	\$129,599.00

<b>Bidder:</b>	<u>Siemens</u> Wendell, NC	<u>Power Delivery Services, Inc.</u> Omaha, NE
<b>Bid Security:</b>	Federal Insurance Co.	Liberty Mutual Ins. Co.
<b>Exceptions:</b>	Noted	Noted
<b>Bid Price:</b>	\$146,946.00	\$123,500.00
<b>Sales Tax:</b>	- -	\$ 8,645.00
<b>Total Bid:</b>	\$146,946.00	\$132,145.00

cc: Tim Luchsinger, Utilities Director  
Jason Eley, Purchasing Agent  
Mary Lou Brown, City Administrator

Bob Smith, Assist. Utilities Director  
Pat Gericke, Utilities Admin. Assist.  
Travis Spiels, Electrical Engineer

P1514

RESOLUTION 2011-323

WHEREAS, the City of Grand Island invited sealed bids for Transmission Distance Relays, according to plans and specifications on file with the Utilities Department; and

WHEREAS, on October 13, 2011, bids were received, opened and reviewed; and

WHEREAS, Power Delivery Services, Inc., of Omaha, Nebraska, submitted a bid in accordance with the terms of the advertisement of bids and plans and specifications and all other statutory requirements contained therein, such bid being in the amount of \$132,145.00; and

WHEREAS, the bid of Power Delivery Services, Inc., is less than the estimate for the Transmission Distance Relays.

NOW, THEREFORE, BE IT RESOLVED BY THE MAYOR AND COUNCIL OF THE CITY OF GRAND ISLAND, NEBRASKA, that the bid of Power Delivery Services, Inc., of Omaha, Nebraska in the amount of \$132,145.00, for Transmission Distance Relays, is hereby approved as the lowest responsible bid.

- - -

Adopted by the City Council of the City of Grand Island, Nebraska, November 8, 2011.

---

Jay Vavricek, Mayor

Attest:

---

RaNae Edwards, City Clerk

Approved as to Form	☐ _____
November 2, 2011	☐ City Attorney